

Outdoor 30Bi MIMO Grid Antenna

4.9-7.2GHz

WIS-ANG630



Product Overview

WIS-ANG630 is a 4.9-7.2GHz 30dBi smart wireless networks grid antenna. It is highly compact to work with WIS-S5300 wireless base station, and a pair of those combination can be used as ultra-long distance wireless bridge, providing more than 30km wireless point-to-point connection. It is also fully compatible with current 2*2 MIMO devices and would help the wireless ISPs and SIs build high performance and cost-effective wireless networks.

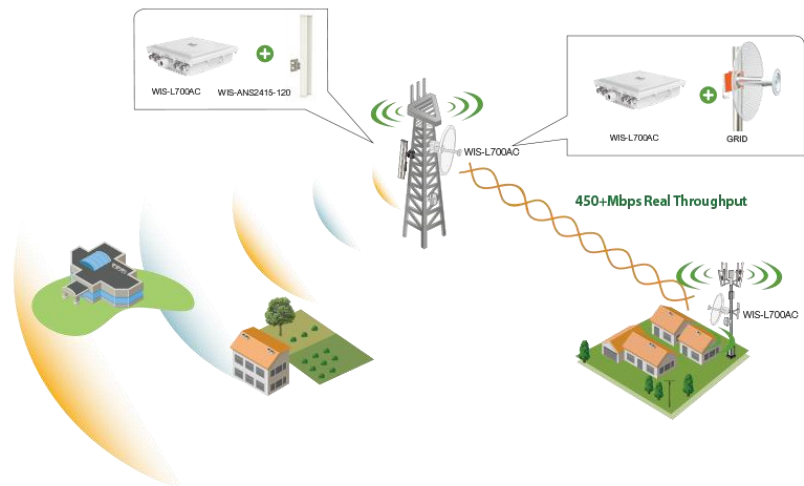
WIS-ANG625: 1ft 25dBi outdoor wireless grid antenna

WIS-ANG630: 2ft 30dBi outdoor wireless grid antenna

WiD™
TDMA protocol

30dBi
dual-pola antenna

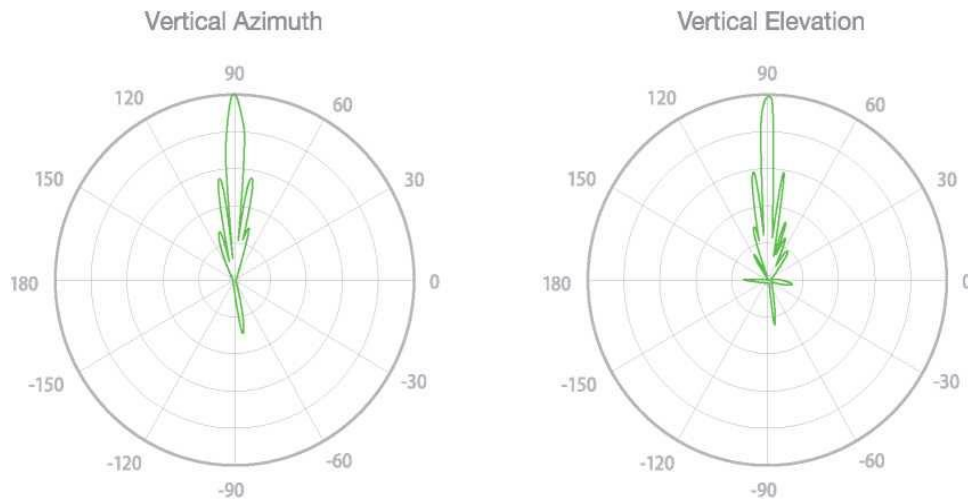
WiFi 6E
Technoloty



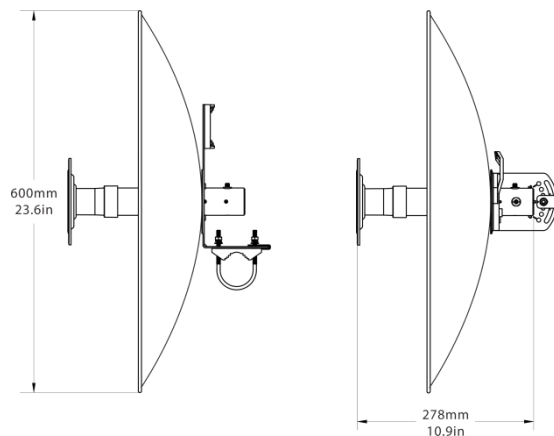
Features and Benefits

- ✦ Seamlessly work with Wisnetworks S-series base station
- ✦ Incredible wireless transmission range
- ✦ Compatible with WiD TDMA which greatly improves the network scalability
- ✦ Provide outdoor weatherproof RPSMA connectors
- ✦ Support legacy 2*2 MIMO 802.11a/n/ac/ax
- ✦ Ideal for wireless coverage and point to point or point to multi-point connection

Antenna Patterns



Mechanical Drawing



Specifications

Frequency	4.9~7.2GHz	Polarization	Dual Slant
Gain	30dBi	Isolation	>30dB
Horizontal Beam width	5°	Temperature	-40°C to +70°C
Vertical Beam width	5°	Dimensions	2ft Grid
Max VSWR	<2.0	Impedance	50Ω
F/B Ratio	33dB	Connector	2*RP SMA
Wind Survivability	125 mph	Maximum Power Per Port	50W