



Outdoor Smart Wireless Dish Antenna

4.9-7.2GHz

WIS-AND630



Product Overview

WIS-AND630 is a 4.9-7.2GHz 30dBi smart wireless networks dish antenna. It is highly compact to work with WIS-S5300 wireless base station, and a pair of those combination can be used as ultra-long distance wireless bridge, providing more than 30km wireless point-to-point connection. It is also fully compatible with current 2*2 MIMO devices and would help the wireless ISPs and SIs build high performance and cost-effective wireless networks.

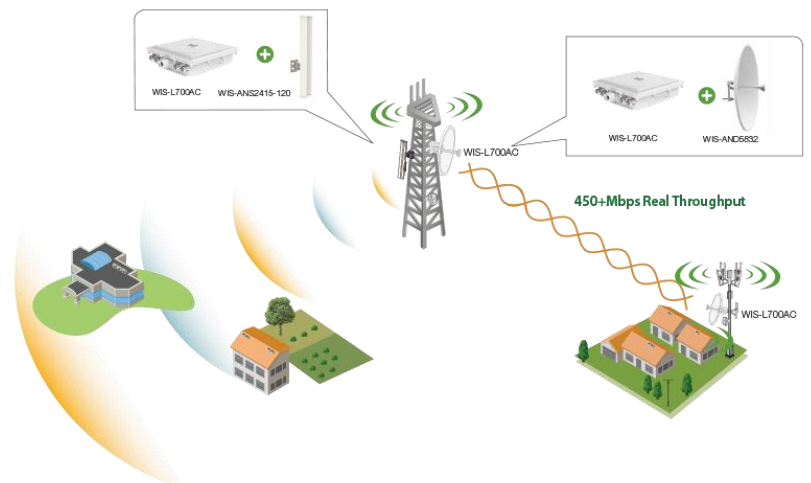
WIS-AND630: 2ft 30dBi outdoor wireless dish antenna

WIS-AND634: 3ft 34dBi outdoor wireless dish antenna

WiD™
TDMA protocol

30dBi
dual-pola antenna

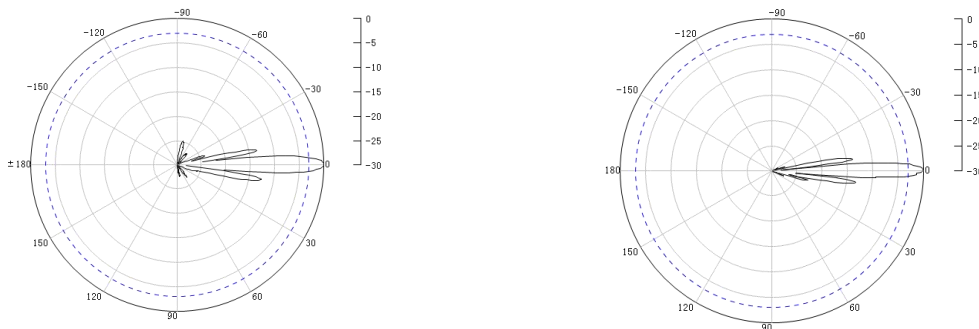
WiFi 6E
Technoloty



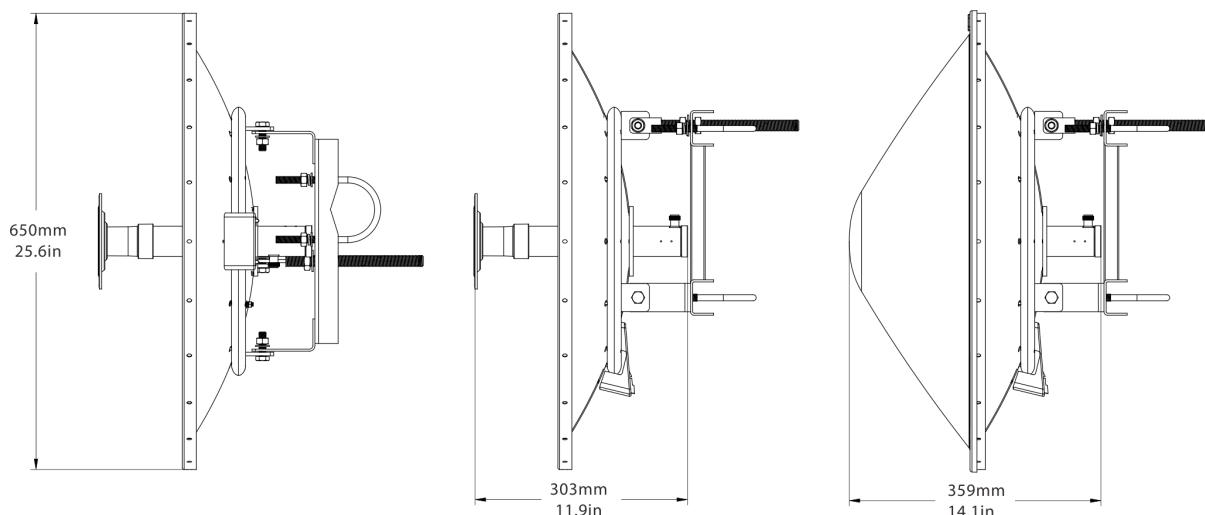
Features and Benefits

- ✿ Seamlessly work with Wisnetworks S-series base station
- ✿ Incredible wireless transmission range
- ✿ Compatible with WiD TDMA which greatly improves the network scalability
- ✿ Provide outdoor weatherproof RPSMA connectors
- ✿ Support legacy 2*2 MIMO 802.11a/n/ac/ax
- ✿ Ideal for wireless coverage and point to point or point to multi-point connection

Antenna Patterns



Mechanical Drawing



The Radome Sold separately

Specifications

Frequency	4.9~7.2GHz	Polarization	Dual Slant
Gain	30dBi	Isolation	>30dB
Horizontal Beam width	5°	Temperature	-40°C to +70°C
Vertical Beam width	5°	Dimensions	2ft
Max VSWR	<2.0	Impedance	50Ω
F/B Ratio	>35dB	Connector	2*RP SMA
Wind Survivability	125 mph	Maximum Power Per Port	50W