



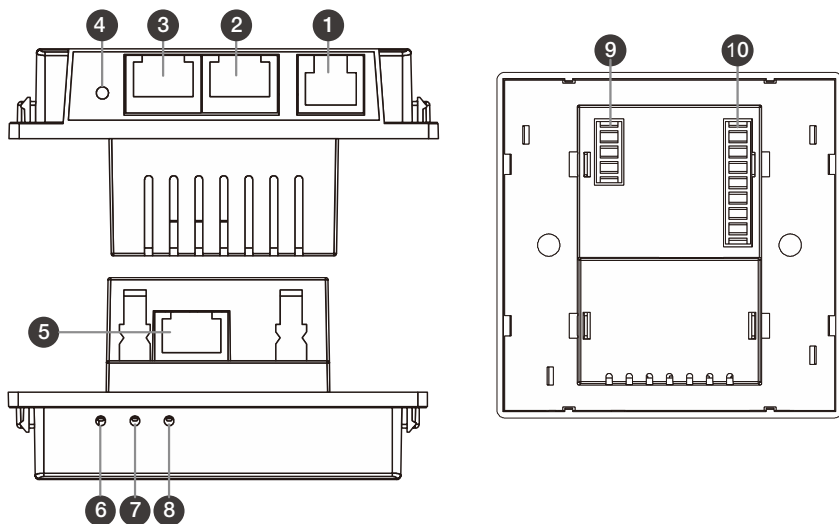
Quick Setup Guide








Wireless In-wall Access Point

Models: WIS-WM2300/WIS-WM2310

Version: 1.1

1 Interface



No.	Interface	Instruction
1		RJ45 Ethernet
2		RJ11 Phone
3		RJ45 Ethernet
4		Reset
5	WAN	48V PoE port
6		Power LED
7		WLAN LED
8		LAN LED
9	T-Strip	For RJ11
10	T-Strip	For RJ45

2 Installation

■ Instructions before installing

- You may need tools below.



Screw driver

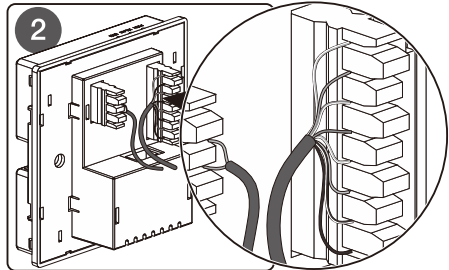
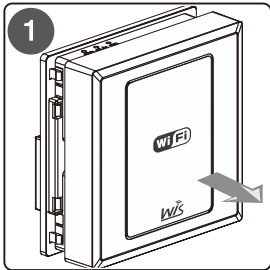


Cable knife



Cable pliers

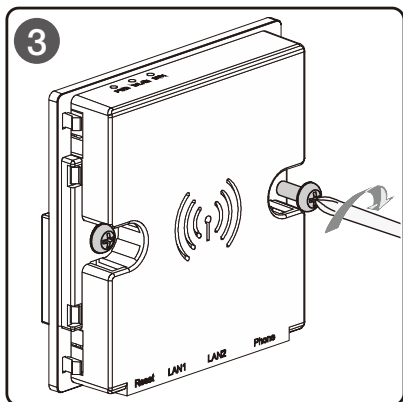
■ Install the device



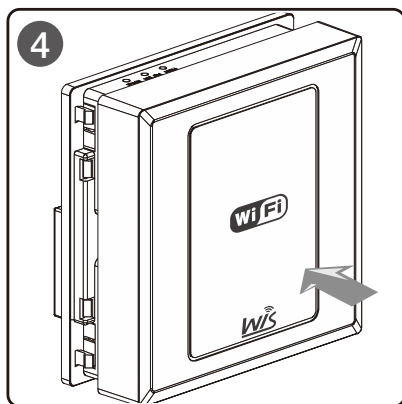
1 Open the cover of the access point.

2 Connect the Ethernet cable to the 8pin terminal strip with the order below (from top to bottom)

White/Orange-> Orange-> White/Green-> Blue->
White/Blue-> Green-> White/Brown-> Brown



- 3 Install the access point in to 86mm wall socket and tighten with screws.



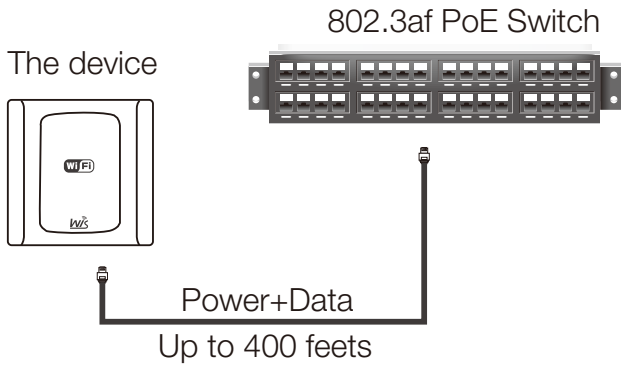
- 4 Put on the cover back and finish installation.

 **ATTENTION**

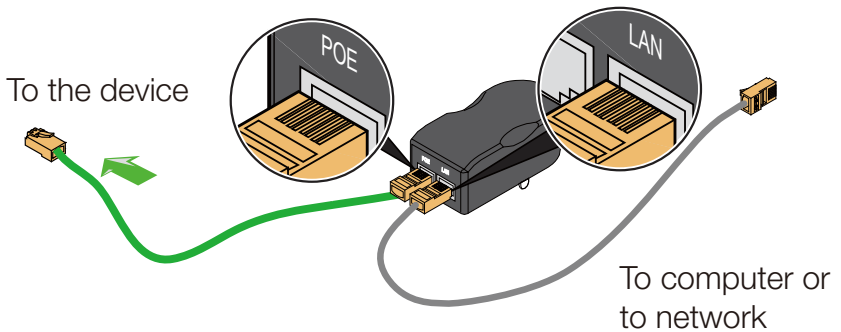
You can simply connect to a RJ45 cable to the **WAN** port of the device instead of connecting with the terminal strips.

3 Power up

■ Power up with 48VDC PoE switch



■ Power up with 48VDC PoE adapter



4 Configuration

1. Check all wires are correctly connected.
2. Configure the host system with static IP on the 192.168.1.x (x could be 10~254) subnet.
3. Using a web browser access **192.168.1.2** (wait a few seconds after device power up).
4. When login page appears enter “**admin**” in both the username and password fields.



5. For more configurations like operating mode and wireless settings please visit the support site at **wisnetworks.com**.

CE Marking

CE marking on this product represents the product is in compliance with all directives that are applicable to it. Alert sign must be indicated if a restriction on use applied to the product and it must follow the CE marking.



RoHS/WEEE Compliance Statement



European Directive 2002/96/EC requires that the equipment bearing this symbol on the product and/or its packaging must not be disposed of with unsorted municipal waste. The symbol indicates that this product should be disposed of separately from regular household waste streams. It is your responsibility to dispose of this and other electric and electronic equipment via designated collection facilities appointed by the government or local authorities. Correct disposal and recycling will help prevent potential negative consequences to the environment and human health. For more detailed information about the disposal of your old equipment, please contact your local authorities, waste disposal service, or the shop where you purchased the product.

Limited Warranty

Wisnetworks warrants that the product(s) furnished hereunder (the "Product(s)") shall be free from defects in material and workmanship for a period of two (2) year from the date of shipment by Wisnetworks under normal use and operation.

The above warranty does not apply if the Product:

- (a) has been modified and/or altered, or an addition made thereto, except by Wisnetworks, or our authorized representatives, or as approved by Wisnetworks;
- (b) has been painted, rebranded or physically modified in any way;
- (c) has been damaged due to errors or defects in cabling;
- (d) has been subjected to misuse, abuse, negligence, abnormal physical, electromagnetic or electrical stress, including lightning strikes, or accident;
- (e) has been damaged or impaired as a result of using third party firmware;
- (f) has no original Wisnetworks MAC/SN label, or is missing any other original Wisnetworks label(s);
- (g) human reasons without according to the guide or user manual.

Online Support

For more guide and help, please go to
www.wisnetworks.com/support/

You can contact email

support@wisnetworks.com

We'll reply you within one weekday.